

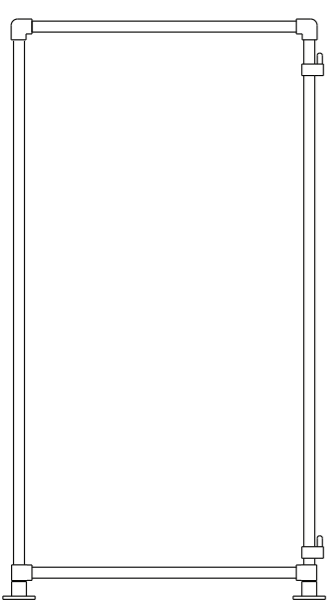
POP

POP is a modular system designed to travel through spaces, shops and markets. It is built with scaffolding structures and reclaimed wood, and can be adapted to the needs of each type of product. A flexible modular system that brings all the necessary elements to take your shop anywhere. Two legs panels are used to add one or more "side" panels. Each panel is individual. The assembly system is very simple and does not require tools.



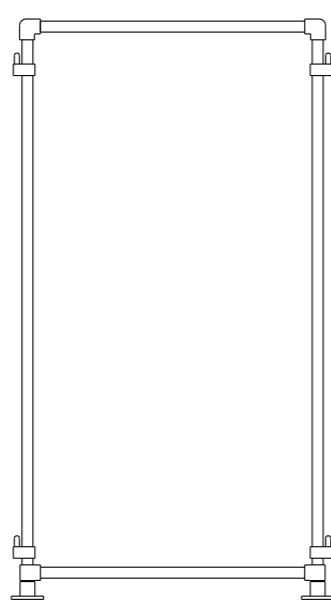
BASIC HANGER 1 SIDE COMBO

Size: 1765 h x 875 w x 60 h
 Elements:
 - Hanging bar 70cm long
 - 2 legs + 2 hinges
 Price: 170 euros



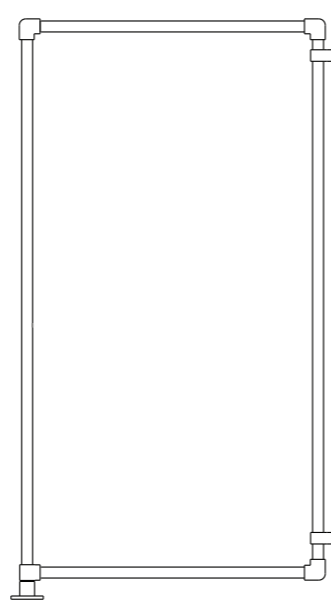
BASIC HANGER + 2 SIDE COMBO

Size: 1765 h x 875 w x 60 h
 Elements:
 - Hanging bar 70cm long
 - 2 legs + 4 hinges
 Price: 180 euros



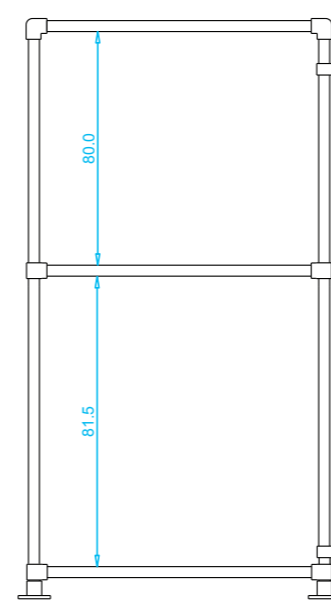
BASIC HANGER PLUS

Size: 1765 h x 875 w x 60 h
 Elements:
 - Hanging bar 70cm long
 - 1 leg + 2 hinges
 Price: 160 euros



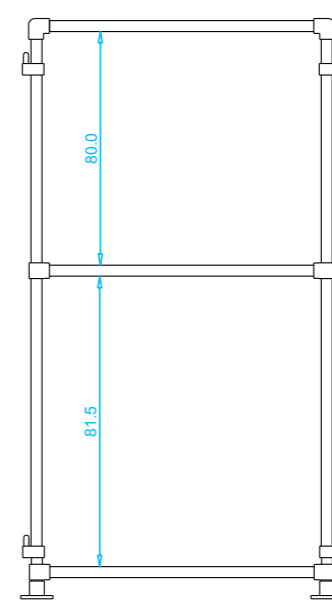
TWO HANGER 1 SIDE COMBO

Size: 1765 h x 875 w x 60 h
 Elements:
 - 2 Hanging bars of 70cm long
 - 2 legs + 2 hinges
 Price: 185 euros



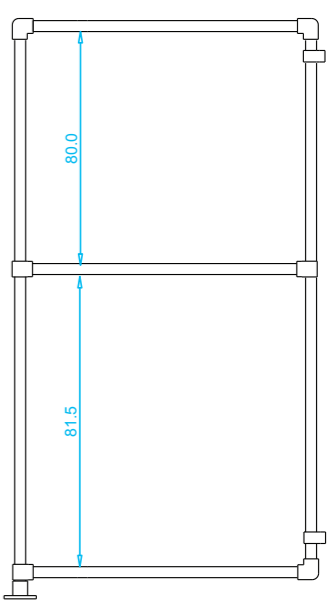
TWO HANGER 2 SIDE COMBO

Size: 1765 h x 875 w x 60 h
 Elements:
 - 2 Hanging bars of 70cm long
 - 2 legs + 4 hinges
 Price: 195 euros



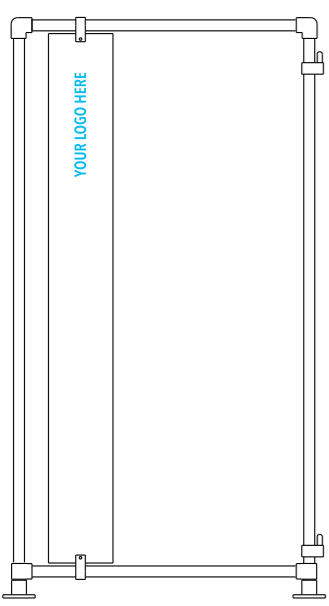
TWO HANGER PLUS

Size: 1765 h x 875 w x 60 h
 Elements:
 - 2 Hanging bars of 70cm long
 - 1 leg + 2 hinges
 Price: 175 euros



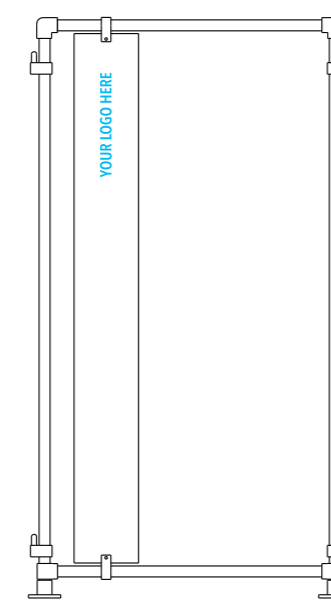
MIRROR HANGER 1 SIDE COMBO

Size: 1765 h x 875 w x 60 h
 Elements:
 - Hanging bar 40cm long
 - Mirror 160 x 20cm
 - 2 legs + 2 hinges
 - Optional personalized wood with logotype
 Price: 370 euros
 Logotype print: + 70 euros



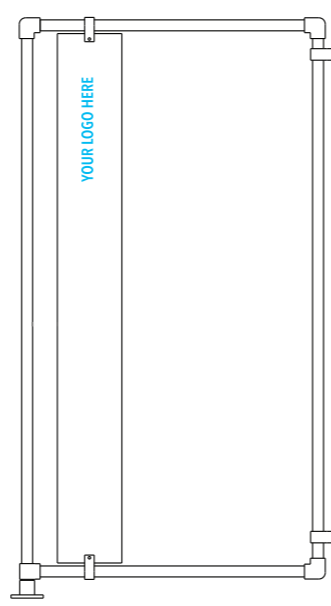
MIRROR HANGER 2 SIDE COMBO

Size: 1765 h x 875 w x 60 h
 Elements:
 - Hanging bar 40cm long
 - Mirror 160 x 20cm
 - 2 legs + 4 hinges
 - Optional personalized wood with logotype
 Price: 380 euros
 Logotype print: + 70 euros



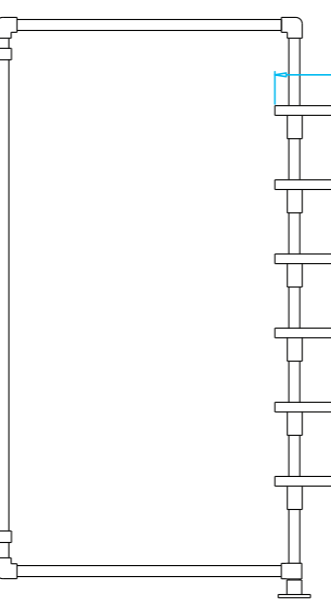
MIRROR HANGER PLUS

Size: 1765 h x 875 w x 60 h
 Elements:
 - Hanging bar 40cm long
 - Mirror 160 x 20cm
 - 1 legs + 2 hinges
 - Optional personalized wood with logotype
 Price: 360 euros
 Logotype print: + 70 euros



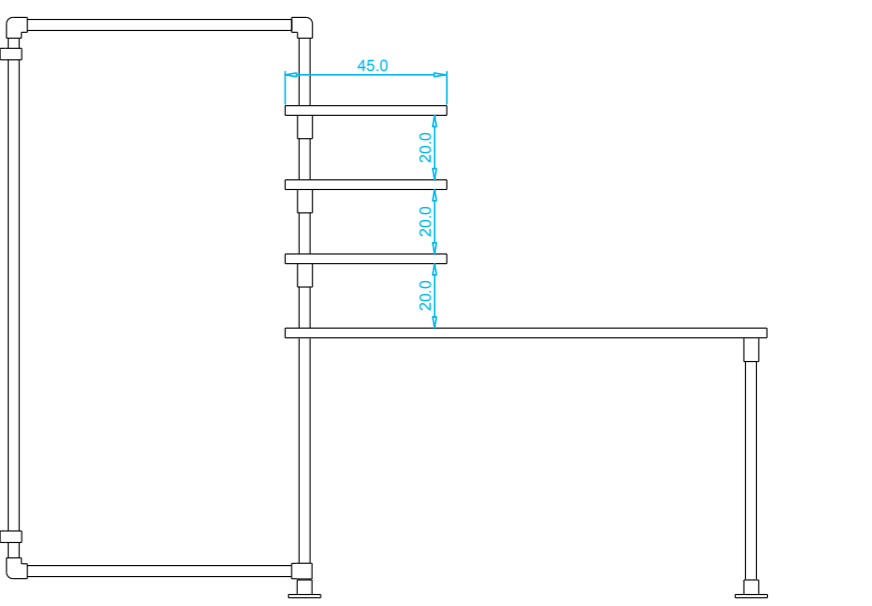
SHOES HANGER

Size: 1765 h x 875 w x 60 h
 Elements:
 - Hanging bar 70cm long
 - 6 shelves of 450 x 195 cm
 - 2 legs + 4 hinges
 Price: 320 euros



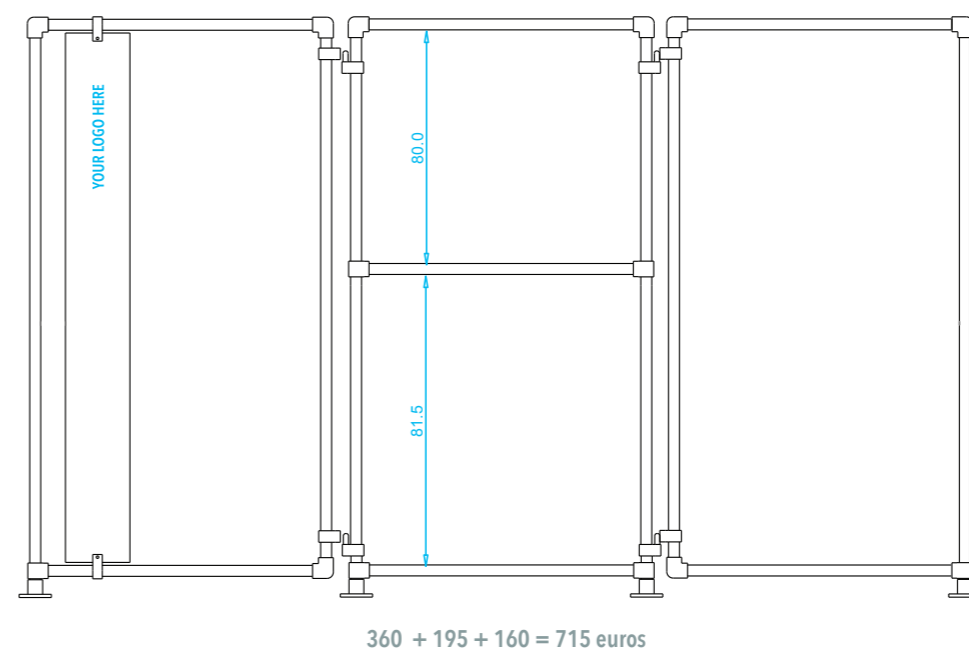
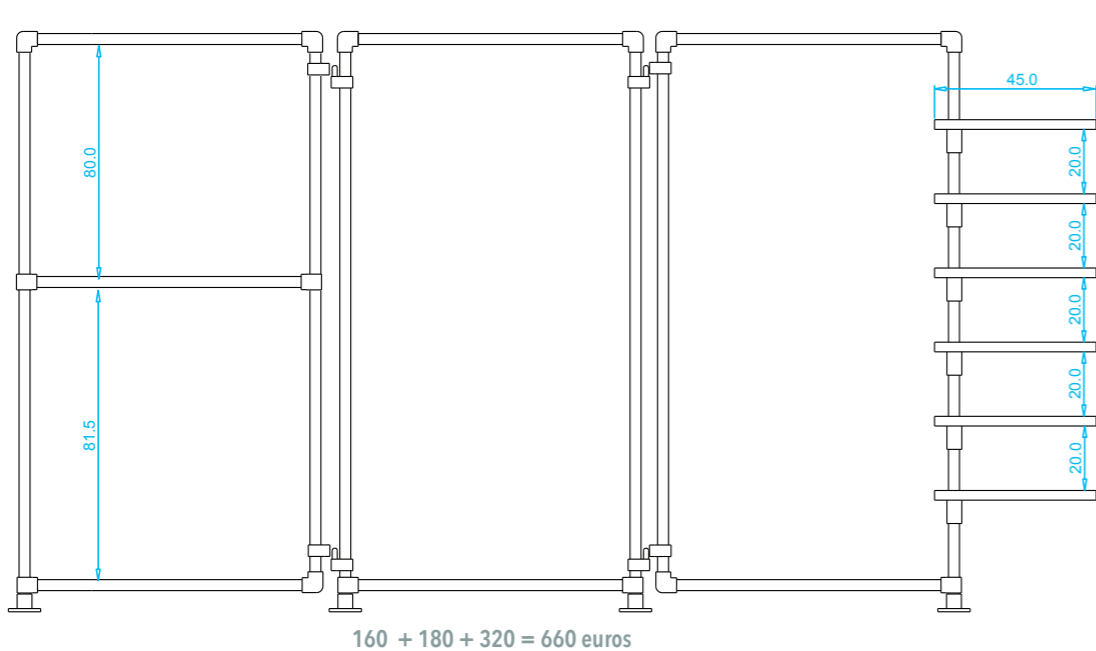
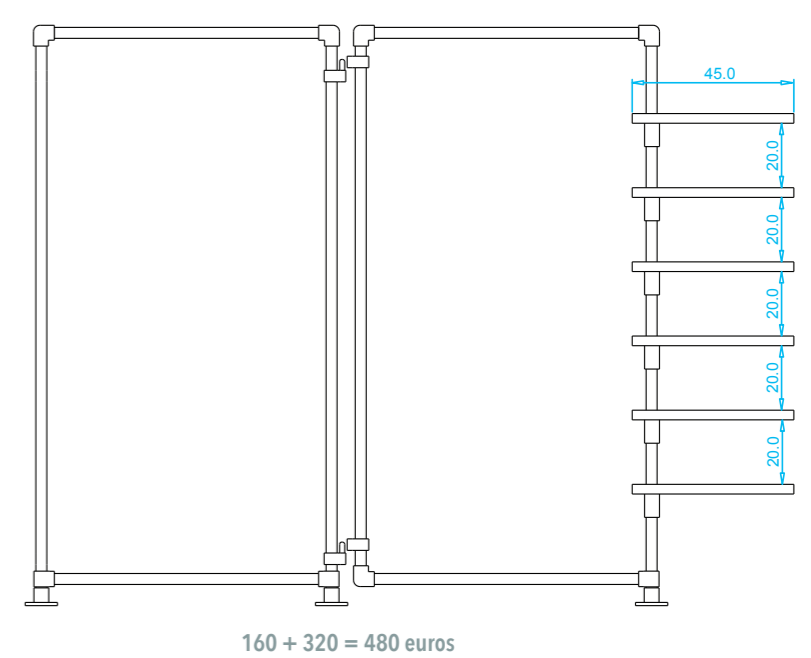
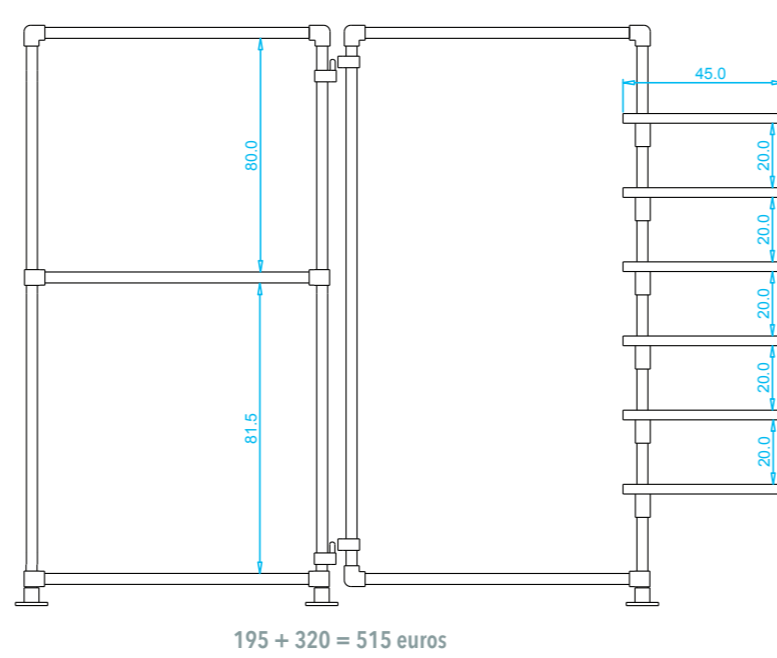
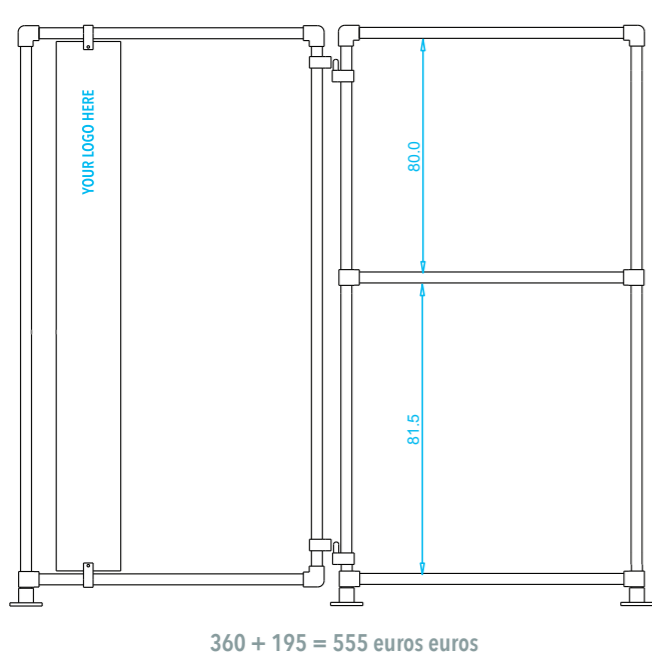
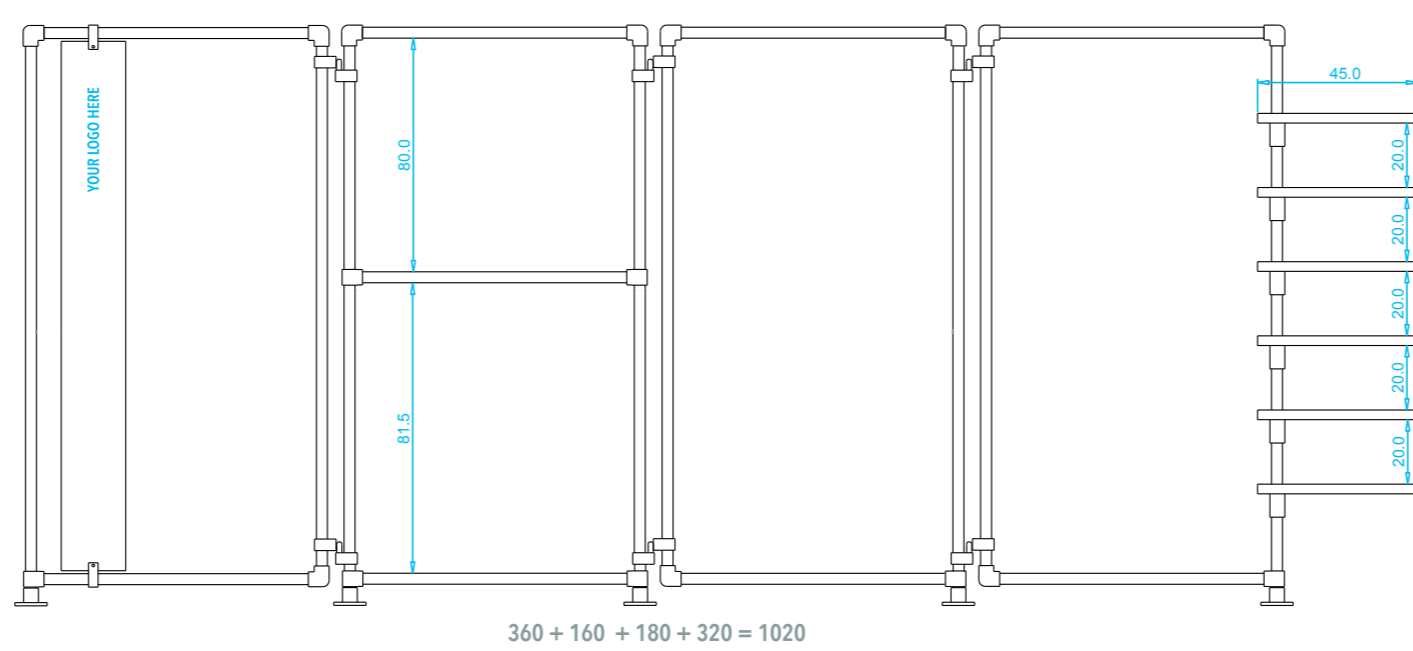
DESK HANGER

Size: 1765 h x 875 w x 60 h
 Elements:
 - Hanging bar 70cm long
 - 3 shelves of 450 x 195 cm
 - 1300 x 195 cm desk
 - 1 legs + 2 hinges
 Price: 370 euros



POP can be adapted to many uses, and shapes. Choose your panels and make different combinations.

BASIC HANGER is ideal for long clothes, the TWO HANGER is suitable for t-shirts and pants, and the SHOES HANGER brings the wood shelves, ideal for shoes, eyes glasses, etc, and has a 70cm long bar to hang clothes.



Want to built your POP now? Contact us! And let's make the best combo for your popup-shop.